

ITEM #: _____	QTY: _____
MODEL #: _____	
PROJECT NAME: _____	

"EBHS6R5" ENCLOSED BASE TABLES 16GA

STAINLESS TOP - HINGED - 5" RISER



FEATURES:

- 16 GAUGE STAINLESS STEEL TOP WITH 5" REAR RISER
- HINGED DOOR STYLE
- TYPE 300 STAINLESS STEEL WITH #4 POLISH, SATIN FINISH
- TOP IS SOUND DEADENED
- REINFORCED WITH 1"X2" CHANNEL RUNNING ENTIRE LENGTH OF TABLE
- 1-1/2" STALLION EDGE ON FRONT AND 5" RISER ON REAR WITH SIDE EDGES 90 DEGREE BEND DOWN FOR TABLE LINE-UP
- STAINLESS STEEL BASE AND UNDERSHELF
- UNDERSHELF IS SECURED IN A FIXED POSITION, 10" ABOVE FLOOR
- SHIPPED STANDARD WELDED SET-UP
- NSF CERTIFIED



CONSTRUCTION:

- TOP: STAINLESS STEEL TOPS ARE TIG WELDED, EXPOSED WELDS ARE POLISHED TO MATCH ADJACENT SURFACE

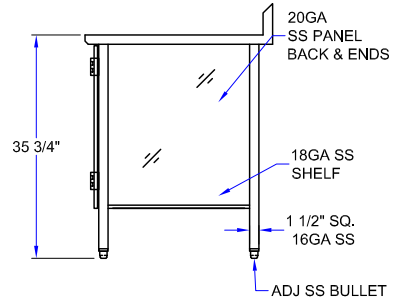
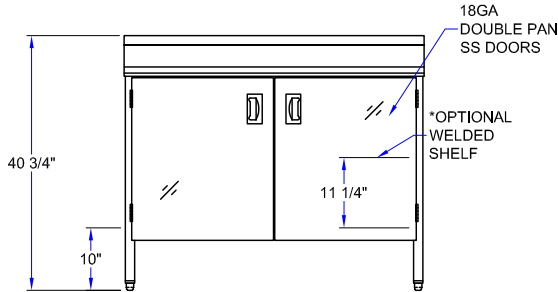
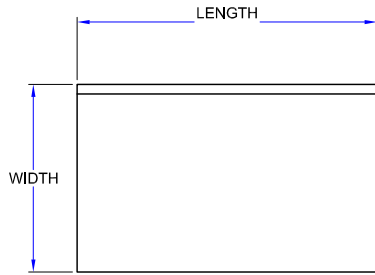
MATERIAL:

- TOP: 16 GAUGE STAINLESSS STEEL TYPE 300 STAINLESS STEEL WITH #4 POLISH, SATIN FINISH
- SHELF: 18 GAUGE TYPE 300 STAINLESS STEEL, #4 POLISH WITH SATIN FINISH
- LEGS: 1-1/2" SQUARE O.D., 16 GAUGE TUBULAR STAINLESS STEEL
- PANELS: 20 GAUGE TYPE 300 STAINLESS STEEL, #4 POLISH WITH SATIN FINISH
- FEET: 1" ADJUSTABLE STAINLESS STEEL BULLET FEET

ENCLOSED BASE TABLES 16GA

24" WIDTH	QTY	30" WIDTH	QTY
EBHS6R5-2436		EBHS6R5-3036	
EBHS6R5-2448		EBHS6R5-3048	
EBHS6R5-2460		EBHS6R5-3060	
EBHS6R5-2472		EBHS6R5-3072	
EBHS6R5-2484		EBHS6R5-3084	
EBHS6R5-2496		EBHS6R5-3096	
EBHS6R5-24108		EBHS6R5-30108	
EBHS6R5-24120		EBHS6R5-30120	
EBHS6R5-24132		EBHS6R5-30132	
EBHS6R5-24144		EBHS6R5-30144	

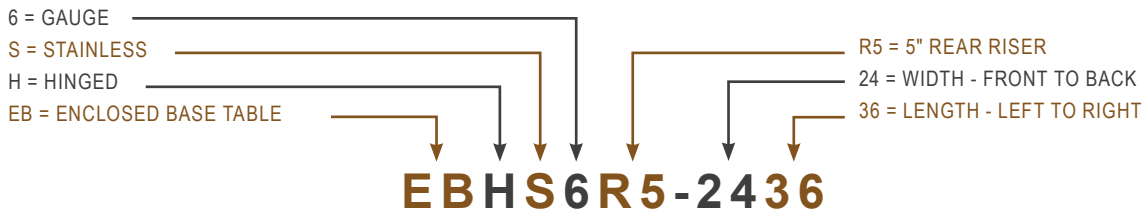
DETAILED SPECIFICATIONS



ENCLOSED BASE TABLES 16GA

LENGTH	LEGS	24" WIDTH	WEIGHT (LBS)	30" WIDTH	WEIGHT (LBS)
36"	4	EBHS6R5-2436		EBHS6R5-3036	
48"	4	EBHS6R5-2448		EBHS6R5-3048	
60"	4	EBHS6R5-2460		EBHS6R5-3060	
72"	4	EBHS6R5-2472		EBHS6R5-3072	
84"	6	EBHS6R5-2484		EBHS6R5-3084	
96"	6	EBHS6R5-2496		EBHS6R5-3096	
108"	6	EBHS6R5-24108		EBHS6R5-30108	
120"	6	EBHS6R5-24120		EBHS6R5-30120	
132"	6	EBHS6R5-24132		EBHS6R5-30132	
144"	6	EBHS6R5-24144		EBHS6R5-30144	

MODEL # STRUCTURE



SOME UNITS SHIP UNASSEMBLED FOR REDUCED SHIPPING COST. ALL DIMENSIONS ARE TYPICAL. TOLERANCE +/- .500"

John Boos & Co. is constantly engaged in a program of improving products and therefore reserves the right to change specifications without prior notice.



3601 S. Banker St. • Effingham, IL 62401 • PO BOX 609 • quotes@johnboos.com

112117



www.johnboos.com

741